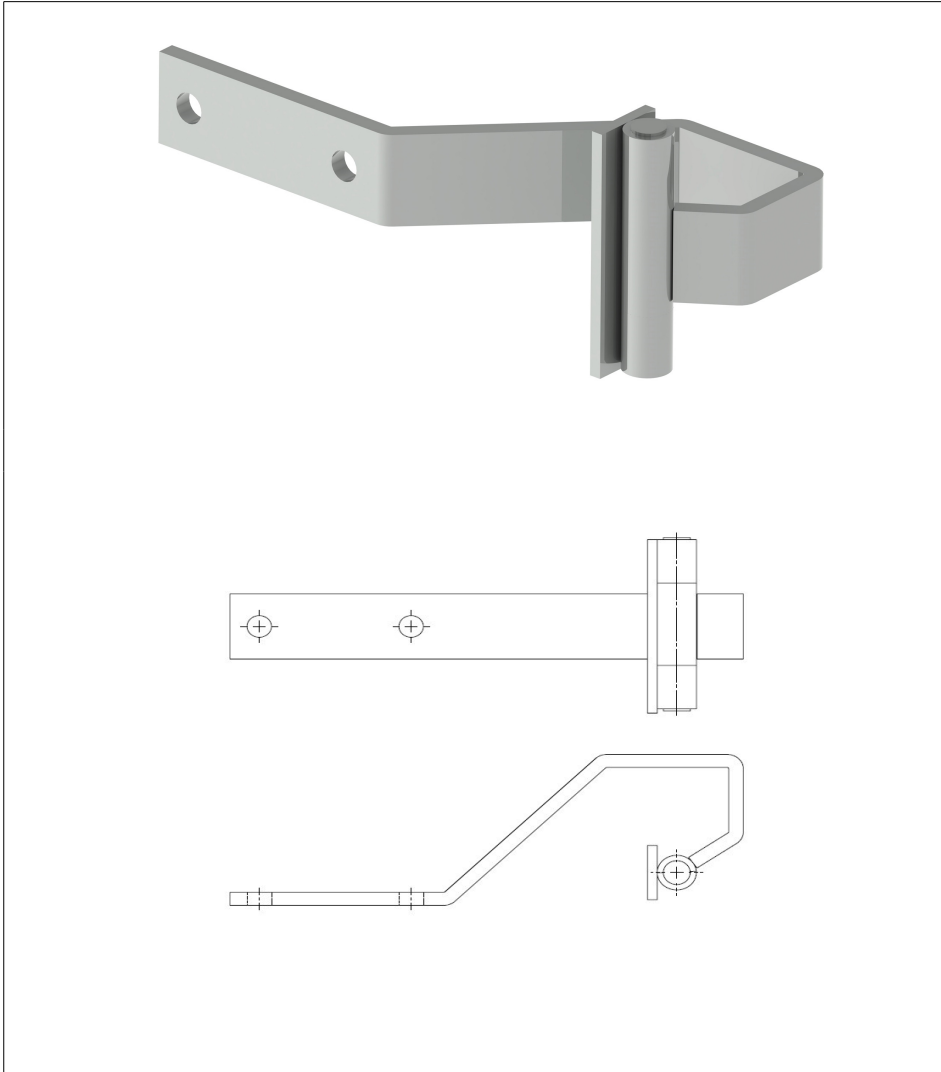


Hinge

Catalog no. ZA.KC



Material

steel flat bar,
steel pipe,
steel bar.

Anti-corrosion protection

hot-dip or thermal diffusion
galvanizing.

The hinge is compatible with CLASSIC containers.

Transport

Pallet loads are transported by courier companies.