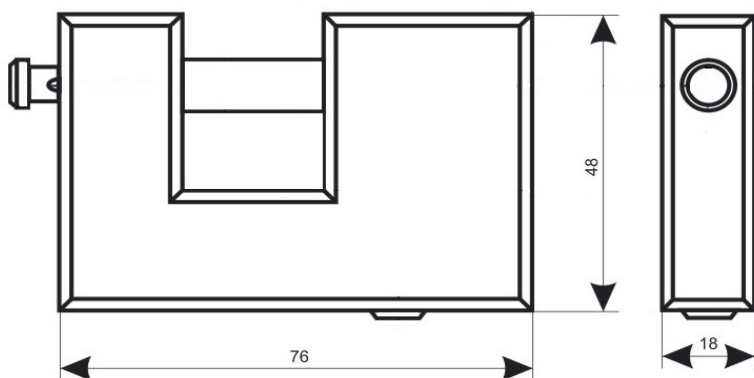


Solid B Padlock

Catalog no. KL.SB



Steel Burglar-Proof Padlock.

**Product features**

- Solid steel lock body.
- Steel bolt with zinc coating.
- One Key System available.

**Dimensions**

- Width: 7,6 cm.
- Height: 4,6 cm.
- Thickness: 1,8 cm.
- Bolt diameter: 9 mm.

**Transport**

Pallet loads are transported by courier companies.